

JDF-2S, VPDS NCV 120V 4PC

Height: 34.5" Width: 10.5" Depth: 27.4"
(87.4cm x 26.7cm x 70.1cm)



- Countertop unit with narrow footprint (34.5"H x 10.5"W x 27.4"D)
- Finished product dispense rate of 3.5 to 4.0 oz/sec
- Patented mixing technology delivers quality beverages cup after cup, from the top of the cup to the bottom
- Easy to load product concentrate removable drawer design holds two 1.25 gal bags of concentrate
- Two independent dispense stations each with programmable four portion size selection
- External product cabinet temperature display allows staff to monitor product concentrate holding temperature
- Internal removable cabinet thermometer included
- Requires connection to 1/2" 50 psi dynamic pressure chilled water system to assure cold drinks at peak demand
- Auto water bath fill feature maintains ice bank to maximize cold drinks
- Lid holder (included) mounts on door
- Easy cleaning, rinsing, sanitizing, and maintenance
- Warranty 3 year parts and labor.
Compressors on refrigeration equipment - 5 years parts and 1 year labor
- Water pressure gauge included

Agency:



Specifications

Product #: 57000.0101

UNIT: Lit

Flavors: 2 Flavors

Refrigerant: R134A

Water Access: Plumbed

Ice Bank: 8.00 lbs (3.629 kgs)

Finish: Black and S/ST

Dispense: Portion Control

Additional Features

Electrical & Capacity

Volts*	Amps	Watts	Cord Attached	Plug Type	8oz cups/hr 236ml cups/hr	Input H ₂ O Temp.	Phase	# Wires plus Ground	Hertz
120	4.5	540	Yes	NEMA 5-15P	-	Chilled Water	1	2	60

Plumbing Requirements

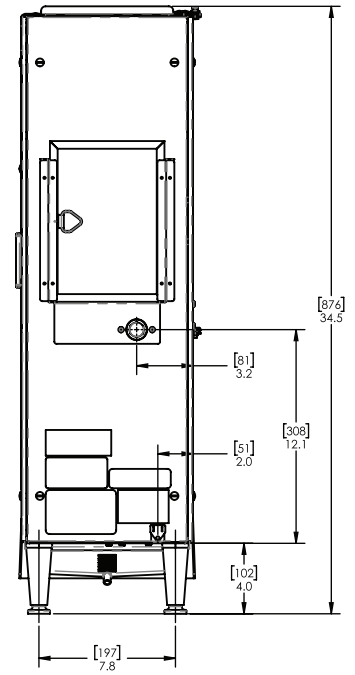
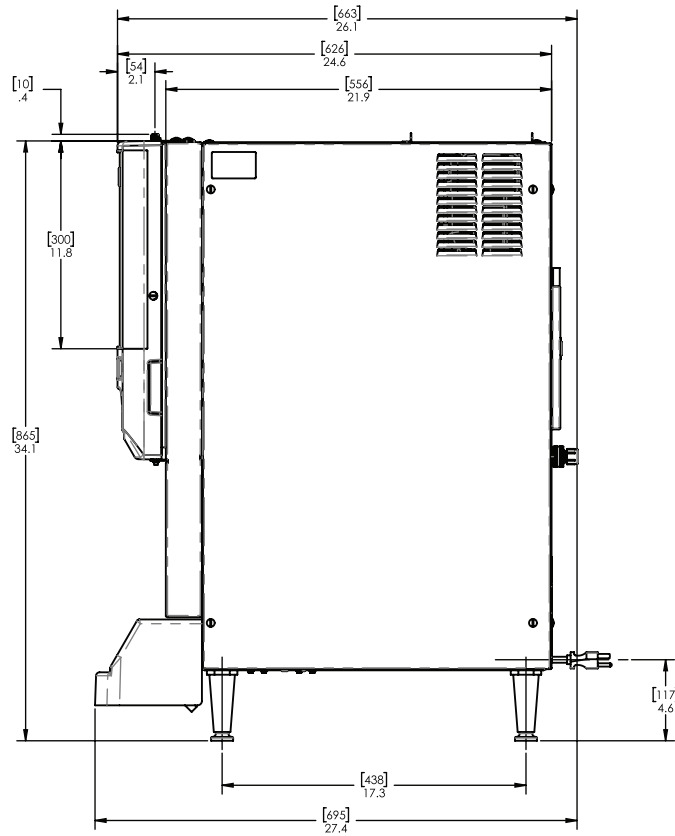
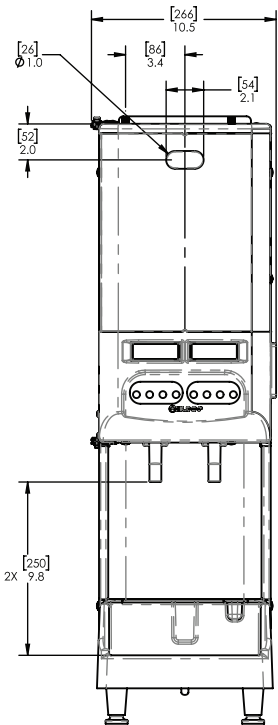
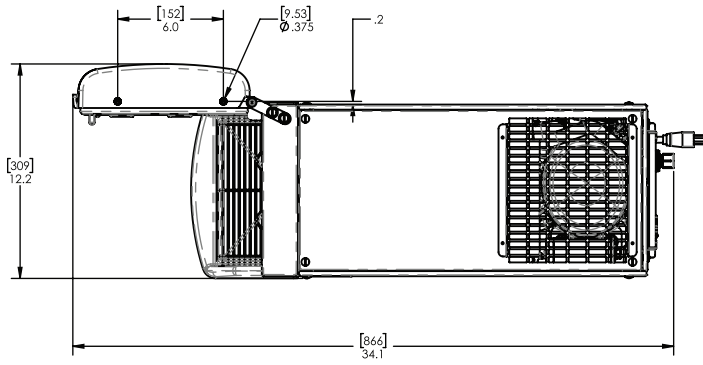
PSI	kPa	Fitting Supplied	Water Flow Required (GPM)
50-100	138-689	1/2" Barb Fitting	3.2 GPM

CAD Drawings

2D	Revit	KLC
●		



BUNN® reserves the right to change specifications and product design without notice. Such revisions do not entitle the buyer to corresponding changes, improvements, additions or replacements for previously purchased equipment. For most current specifications and other info visit bunn.com.

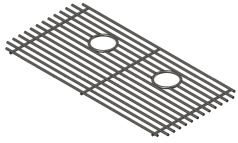


Unit				Shipping				
	Height	Width	Depth	Height	Width	Depth	Weight	Volume
English	34.5 in.	10.5 in.	27.4 in.	43.7 in.	22.8 in.	30.5 in.	109.000 lbs	17.543 ft³
Metric	84.8 cm	26.7 cm	69.3 cm	111.0 cm	57.8 cm	77.5 cm	49.442 kgs	0.497 m³



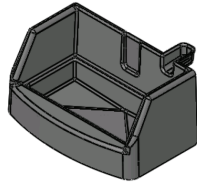
BUNN® reserves the right to change specifications and product design without notice. Such revisions do not entitle the buyer to corresponding changes, improvements, additions or replacements for previously purchased equipment. For most current specifications and other info visit bunn.com.

Related Products & Accessories: JDF-2



WIRE GRILL, DRIP TRAY
(SINGLE)

Product #: 26801.0005



TRAY ASSY, EXTENDED
DRIP

Product #: 44015.1001



LEG, 4.0 ADJ BLK

Product #: 26528.0000



JDF-2S TRAY ASSY

Product #: 57445.0001

ORANGE
JUICE

ORANGE
JUICE

JUICE FLAVOR DECALS

Product #: 32861.0022



INLET PRESSURE
GAUGE ASSY

Product #: 57524.1000



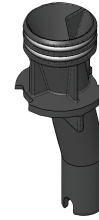
LID HOLDER KIT

Product #: 57167.1005



MAGNETIC LATCH ASSY

Product #: 57478.1000



NOOZLE ASSY,
FAST FLOW VALVE JDF

Product #: 57004.1000

ORANGE
JUICE

ORANGE
JUICE

LEMONADE

COLD
BREW

JUICE, LEMONADE AND
COLD BREW DECALS

Product #: 32861.0023



SANITIZING TUBE

Product #: 57573.1000



Product #: 48332.0010